



NEW PRODUCT ALERT!

One-piece solution to seamlessly fit metal, tiled or any other roof surface.



RAPIDVENT QUICKSEAL

by AZTEC

Experience the ease: RapidVent Quickseal makes installation a breeze.

After extensive research and development over the past 2 years, we have come up with a solution for your ventilation needs - RapidVent Quickseal by AZTEC.



> Suitable for any exhaust fan requirement.

Key Features:

- Quick 4-step installation
- One piece fit
- Sturdy & leak-proof
- Non-combustible
- Versatile
- UV Rated

Get your ventilation needs fulfilled by RapidVent Quickseal!

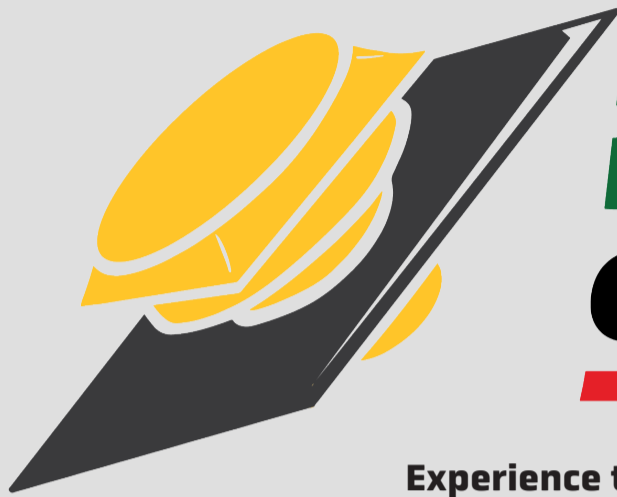


SCAN ME





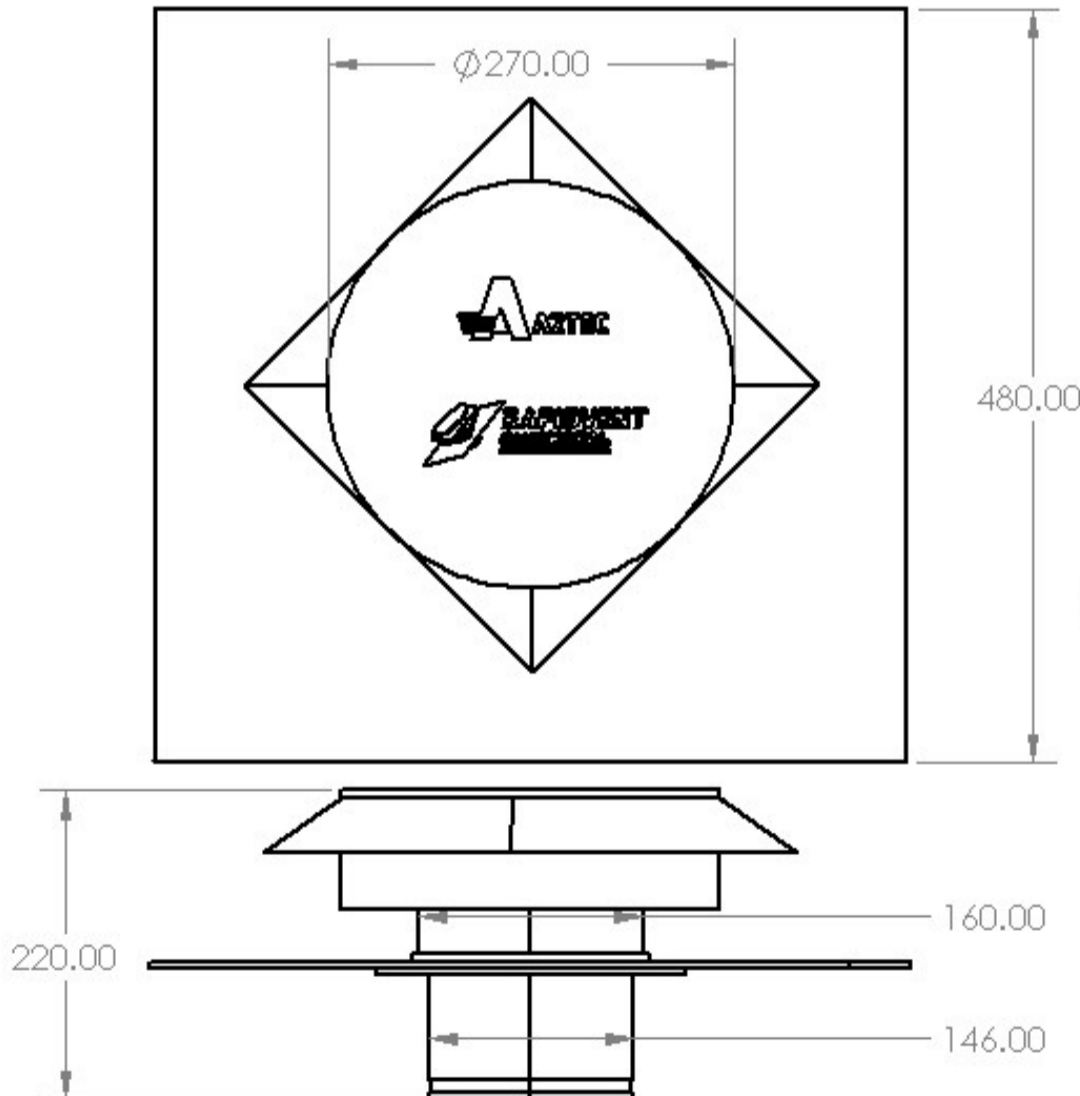
TECHNICAL DATA



RAPIDVENT **QUICKSEAL** by

Experience the ease: RapidVent Quickseal makes installation a breeze.

Product Code:
AZTRV150B



**SUITABLE FOR METAL,
TILED OR ANY OTHER
ROOF SURFACE**

