

AZTEC

SHIELDED COUPLINGS



ENSURES NO PIPE DISPLACEMENTS

DESIGNED TO SUIT AUSSIE CONDITIONS

**Connecting or repairing pipes
on sewer and drainage lines.**

- ✓ Additional wrap around stainless steel coupling to suit robust conditions
- ✓ Withstands an internal pressure of up to 1 bar
- ✓ Stainless steel shielded band prevents pipe displacement
- ✓ Complies with AS/NZS 4327-1995
- ✓ WaterMark® approved and WASA approved

SEE OVER FOR SPECIFICATIONS

CALL FOR ALL PRODUCT RANGES & SIZES

P: (03) 9768 2394 F: (03) 9768 2580

Email: orders@aztecau.com.au - www.aztecau.com.au

70 Logis Boulevard, Dandenong South VIC AUSTRALIA 3175



Aussie Tough. Aztec Smart.



AZTEC

SHIELDED COUPLINGS

Aztec now have a range of shielded couplings designed for robust Aussie conditions. Specifically designed for the connection or the repair for pipes on sewer and drainage lines. The additional Stainless-Steel wrap around coupling supports the middle section of the coupling, allowing the pipes to stay aligned and ensure minimal pipe displacement in robust conditions.

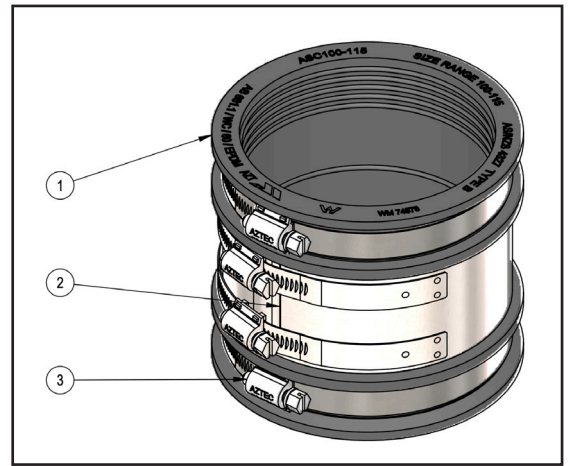


Our Range

Coupling Code	Description
ASC100-115	AZTEC Shielded Flexible Coupling 100-115mm
ASC110-125	AZTEC Shielded Flexible Coupling 110-125mm
ASC115-125	AZTEC Shielded Flexible Coupling 115-125mm
ASC125-150	AZTEC Shielded Flexible Coupling 125-150mm
ASC150-160	AZTEC Shielded Flexible Coupling 150-160mm
ASC160-170	AZTEC Shielded Flexible Coupling 160-170mm
ASC160-180	AZTEC Shielded Flexible Coupling 160-180mm
ASC175-200	AZTEC Shielded Flexible Coupling 175-200mm
ASC225-250	AZTEC Shielded Flexible Coupling 225-250mm
ASC 240-250	AZTEC Shielded Flexible Coupling 240-250mm
ASC 255-265	AZTEC Shielded Flexible Coupling 255-265mm
ASC 265-290	AZTEC Shielded Flexible Coupling 265-290mm

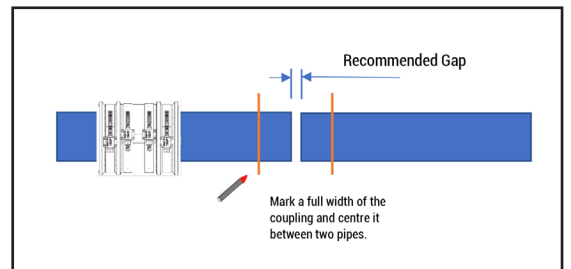
Bush Adaptors

Coupling Code	Description
ASCB08/105-115	AZTEC Bush ID 105-115mm Thickness 8mm
ASCB15/105-115	AZTEC Bush ID 105-115mm Thickness 15mm
ASCB16/154-164	AZTEC Bush ID 154-164mm Thickness 16mm
ASCB08/170-180	AZTEC Bush ID 170-180mm Thickness 8mm



LEGEND

1. EPDM Rubber
2. Stainless Steel band - to increase shear strength & to reduce pipe displacement
3. All SS316 heavy duty clamps



Recommended Gap when installing

Measure the coupling width. Mark a full width across two pipe ends, so that the coupling will sit in the centre of the gap. See the illustration above.

WWW.AZTECAU.COM.AU

CALL FOR ALL PRODUCT RANGES & SIZES

P: (03) 9768 2394 F: (03) 9768 2580

Email: orders@aztecau.com.au - www.aztecau.com.au

70 Logis Boulevard, Dandenong South VIC AUSTRALIA 3175



Aussie Tough. Aztec Smart.