

AZTEC

PRO FLASH COLLARS



INTRODUCING PRO FLASH

**The latest innovative
and high quality
plumbing product
from Aztec**

- ✓ No more heavy lifting - a great alternative to lead based products
- ✓ Meets safe drinking water standards (AS/NZS 40200)
- ✓ Far easier and quicker to install than traditional lead rolls and sheets
- ✓ Suitable for most roofing profiles
- ✓ Clean and green - Non-toxic

SEE OVER FOR SPECIFICATIONS

CALL FOR ALL PRODUCT RANGES & SIZES

P: (03) 9768 2394 F: (03) 9768 2580

Email: orders@aztecau.com.au - www.aztecau.com.au

70 Logis Boulevard, Dandenong South VIC AUSTRALIA 3175



Aussie Tough. Aztec Smart.



ROOF COLLARS

Pro Flash® Roof Collars are a versatile solution for a range of pitched and flat roofing applications. The sticky back allows for compatibility with a wide range of roofing materials, providing a clean, traditional appeal with a 10 Year Warranty. When **Pro Flash®** is installed by a qualified tradesperson, it will form a water-tight seal on your roof that will be long lasting and complete the seal from any water leakage.

INSTALLATION BENEFITS:

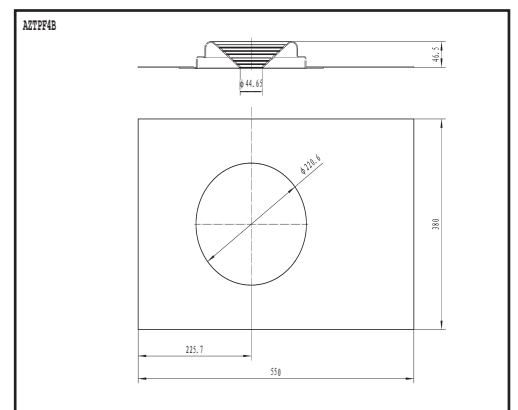
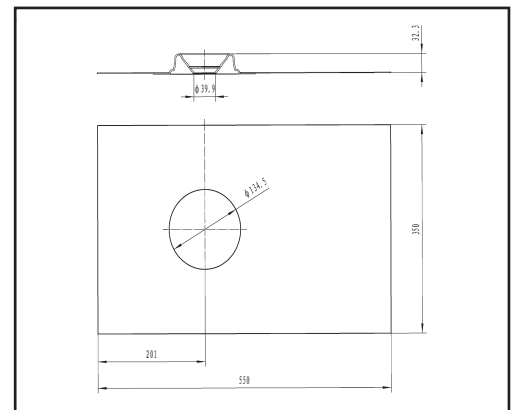
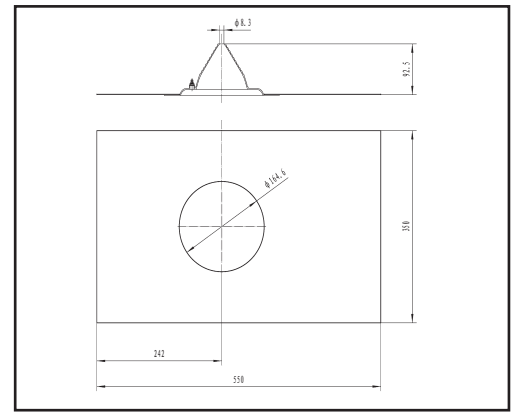
- ✓ Quick installation
- ✓ Easy to dress into shape by hand or soft hammer tool
- ✓ Easy to cut with scissors or knife if required
- ✓ No health risks such as lead poisoning or risks associated with lifting heavy materials

NOTES:

- ✓ Avoid pressure load by sharp objects (e.g. tile notches)

COMMON APPLICATIONS:

To seal and make water-tight pipe penetrations on tiled roofs. The base material of **Pro Flash® Roof Collar** complies with AS/NZS 2904:1995 Damp-Proof Courses and Flashings. The **Pro Flash® Roof Collar** exhibits great weathering and UV resistance thus guarantees the long-term performance for outdoor applications.



Base Material Properties

Thickness, mm	1.9mm ~ 2.1mm
Density	1.4 ~ 1.7 g/cm ³
Tensile strength	≥ 2 MPa
Stretch ability	
Longitudinal	Up to 50%
Transverse	Up to 15%
Service Temperature	-40 °C to +100 °C

Product Range

Product Code	Description	Base Size	Boot Size
AZTPF1B	Aztec Pro Flash® Roof Collar 0 - 50mm Black	280 x 450mm	0 - 50mm
AZTPF2B	Aztec Pro Flash® Roof Collar 50 - 70mm Black	350 x 550mm	50 - 70mm
AZTPF3B	Aztec Pro Flash® Roof Collar 12 - 125mm Black	350 x 550mm	12 - 125mm
AZTPF4B	Aztec Pro Flash® Roof Collar 50 - 170mm Black	380 x 550mm	50 - 170mm
AZTPF5B	Aztec Pro Flash® Roof Collar 170 - 330mm	600 x 850mm	170 - 330mm

